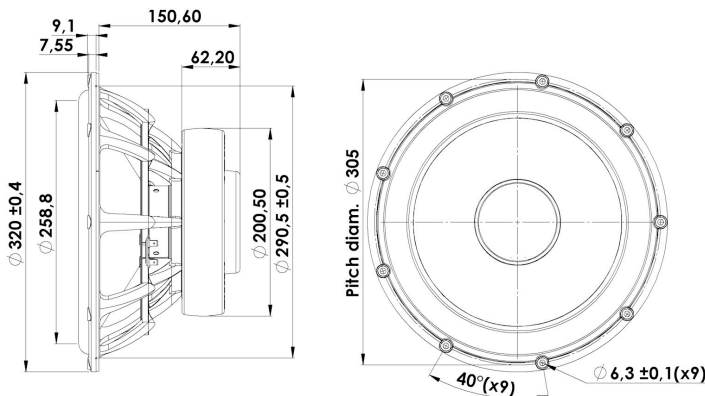


## 32 cm Woofer

## 32W/8878T01



### T-S Parameters:

Resonance frequency [fs]	19 Hz
Mechanical Q factor [Qms]	5.69
Electrical Q factor [Qes]	0.35
Total Q factor [Qts]	0.33
Force factor [Bl]	15.6 Tm
Mechanical resistance [Rms]	2.4 kg/s
Moving mass [Mms]	114.8 g
Compliance [Cms]	0.60 mm/N
Effective diaph. diameter [D]	260 mm
Effective piston area [Sd]	526 cm <sup>2</sup>
Equivalent volume [Vas]	234 l
Sensitivity (2,83V/1m)	89 dB

### Mechanical Data:

Voice coil diameter	75 mm
Voice coil height	23 mm
Voice coil layers	2
Gap height	8 mm
Linear excursion	$\pm 7.5$ mm
Max mech. excursion	$\pm 28$ mm
Unit weight	7.5 kg
Cabinet Displacement Volume	- l

### Electrical Data:

Nominal impedance [Zn]	8 $\Omega$
Minimum impedance [Zmin]	7.2 $\Omega$
Maximum impedance [Zo]	56.8 $\Omega$
DC resistance [Re]	6.1 $\Omega$
Voice coil inductance [Le]	0.68 mH

### Power Handling:

100h RMS noise test (IEC 18.4)	150 W
Long-term max power (IEC 18.2)	400 W
X-over:	None

### Key Features:

- Paper sandwich cone with Patented foam filling
- Patented Symmetrical Drive motor
- Spider with balanced woven in tinsel leads
- Long linear excursion ( $\pm 7.5$  mm)
- 3" Voice coil, Titanium former and paper reinforced
- Stiff and strong die cast aluminium chassis

### Recommendations (please see Tech Note):

- Operating frequency range: fs-1500 Hz
- Cabinet volume - closed box: Vbox=74 ltr, f(-3dB)=39 Hz
- Cabinet volume - vented box: Vbox=141 ltr, fb=22 Hz, f(-3dB)=24 Hz

