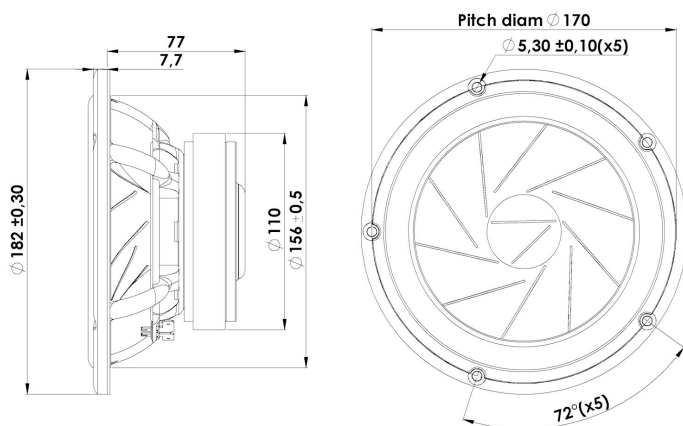


18 cm Midrange

18M/4631T00



T-S Parameters:

Resonance frequency [fs]	65 Hz
Mechanical Q factor [Qms]	5.65
Electrical Q factor [Qes]	0.67
Total Q factor [Qts]	0.60
Force factor [Bl]	5.6 Tm
Mechanical resistance [Rms]	1.03 kg/s
Moving mass [Mms]	14.3 g
Compliance [Cms]	0.42 mm/N
Effective diaph. diameter [D]	138 mm
Effective piston area [Sd]	154 cm ²
Equivalent volume [Vas]	14.0 l
Sensitivity (2,83V/1m)	92 dB

Mechanical Data:

Voice coil diameter	38 mm
Voice coil height	11 mm
Voice coil layers	2
Gap height	5 mm
Linear excursion	± 3 mm
Max mech. excursion	± 14.5 mm
Unit weight	1.7 kg
Cabinet Displacement Volume	- l

Electrical Data:

Nominal impedance [Zn]	4 Ω
Minimum impedance [Zmin]	3.9 Ω
Maximum impedance [Zo]	29 Ω
DC resistance [Re]	3.5 Ω
Voice coil inductance [Le]	0.16 mH

Power Handling:

100h RMS noise test (IEC 18.4)	120 W
Long-term max power (IEC 18.2)	250 W
X-over: 2. order HP Butterworth, 100Hz	

- Key Features:**
- Patented Symmetrical Drive motor design
 - Sliced Cone (Control Cone Breakups)
 - Low-loss Linear Suspension
 - High Sensitivity 92dB @ 2,83V
 - Coated Foam Surround
 - Rigid Titanium Voice Coil Former

- Recommendations (please see Tech Note):**
- Operating frequency range: 70-6000 Hz
 - Cabinet volume - closed box: Vbox=3 ltr, f(-3dB)=154 Hz
 - Cabinet volume - vented box: N.a.

