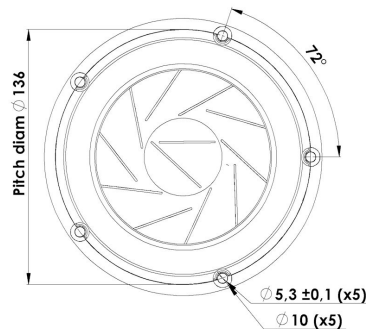
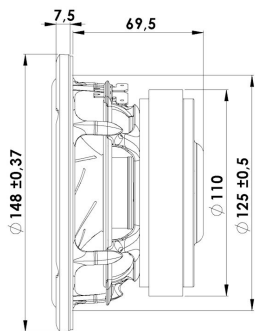


15 cm Midwoofer

15W/8530K01



T-S Parameters:

Resonance frequency [fs]	38 Hz
Mechanical Q factor [Qms]	5.8
Electrical Q factor [Qes]	0.55
Total Q factor [Qts]	0.5
Force factor [Bl]	5.8 Tm
Mechanical resistance [Rms]	0.54 kg/s
Moving mass [Mms]	13 g
Compliance [Cms]	1.33 mm/N
Effective diaph. diameter [D]	110 mm
Effective piston area [Sd]	95 cm ²
Equivalent volume [Vas]	17 l
Sensitivity (2,83V/1m)	84.5 dB

Mechanical Data:

Voice coil diameter	38 mm
Voice coil height	18 mm
Voice coil layers	2
Gap height	5 mm
Linear excursion	± 6.5 mm
Max mech. excursion	± 9 mm
Unit weight	1.2 kg
Cabinet Displacement Volume	- l

Electrical Data:

Nominal impedance [Zn]	8 Ω
Minimum impedance [Zmin]	6.7 Ω
Maximum impedance [Zo]	50.4 Ω
DC resistance [Re]	5.9 Ω
Voice coil inductance [Le]	0.3 mH

Power Handling:

100h RMS noise test (IEC 18.4)	60 W
Long-term max power (IEC 18.2)	70 W
X-over:	None

Key Features:

- Patented Symmetrical Drive Motor Design
- Sliced Cone (Controls Cone Breakups)
- Coated Paper Cone
- Low-Loss linear suspension
- Low Damping SBR Rubber Surround
- Die cast Alu Chassis vented below spider

Recommendations (please see Tech Note):

- Operating frequency range: fs-6000 Hz
- Cabinet volume - closed box: Vbox=21 ltr, f(-3dB)=51 Hz
- Cabinet volume - vented box: Vbox=41 ltr, fb=29 Hz, f(-3dB)=26 Hz

