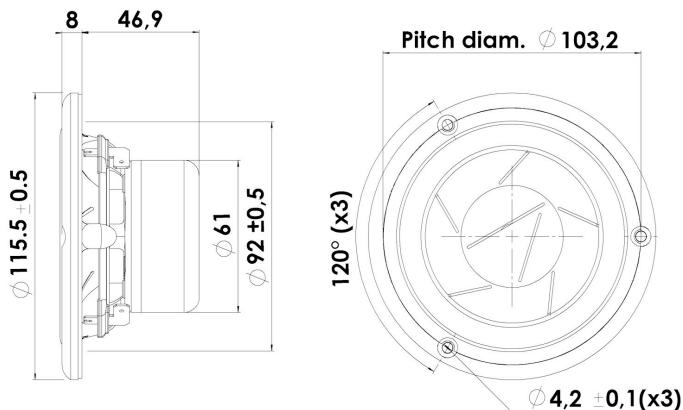


12 cm Midrange

12M/4631G00



T-S Parameters:

Resonance frequency [fs]	75 Hz
Mechanical Q factor [Qms]	5.57
Electrical Q factor [Qes]	0.35
Total Q factor [Qts]	0.33
Force factor [Bl]	5.3 Tm
Mechanical resistance [Rms]	0.55 kg/s
Moving mass [Mms]	6.5 g
Compliance [Cms]	0.69 mm/N
Effective diaph. diameter [D]	79 mm
Effective piston area [Sd]	49 cm ²
Equivalent volume [Vas]	2.3 l
Sensitivity (2,83V/1m)	89 dB

Mechanical Data:

Voice coil diameter	38 mm
Voice coil height	10 mm
Voice coil layers	2
Gap height	4 mm
Linear excursion	± 3 mm
Max mech. excursion	± 7 mm
Unit weight	0.6 kg
Cabinet Displacement Volume	- l

Electrical Data:

Nominal impedance [Zn]	4 Ω
Minimum impedance [Zmin]	3.8 Ω
Maximum impedance [Zo]	54.1 Ω
DC resistance [Re]	3.2 Ω
Voice coil inductance [Le]	0.22 mH

Power Handling:

100h RMS noise test (IEC 18.4)	40 W
Long-term max power (IEC 18.2)	70 W
X-over: 2. order HP Butterworth, 200 Hz	

Key Features:

- Excellent Midrange reproduction
- Sliced Cone (Controls Cone Breakups)
- Low-Loss Linear Suspension
- High Output 89dB @ 2,83V
- Compact Neodymium Magnet System

Recommendations (please see Tech Note):

- Operating frequency range: 85-10000 Hz
- Cabinet volume - closed box: Vbox=0.8 ltr, f(-3dB)=147 Hz
- Cabinet volume - vented box: Vbox=1.6 ltr, fb=84 Hz, f(-3dB)=88 Hz

