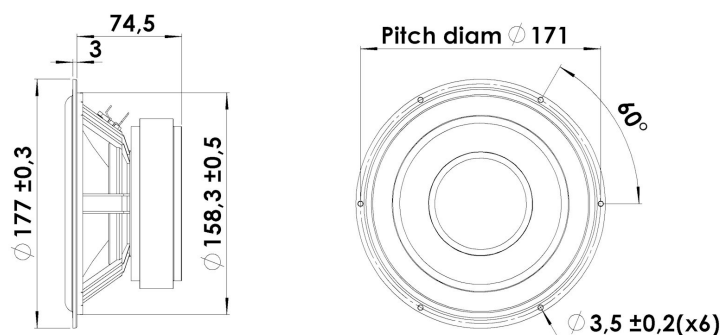


18 cm Midwoofer

18W/8542-10



T-S Parameters:

Resonance frequency [fs]	43 Hz
Mechanical Q factor [Qms]	1.7
Electrical Q factor [Qes]	0.44
Total Q factor [Qts]	0.35
Force factor [Bl]	6.9 Tm
Mechanical resistance [Rms]	2.1 kg/s
Moving mass [Mms]	13.6 g
Compliance [Cms]	1.0 mm/N
Effective diaph. diameter [D]	131 mm
Effective piston area [Sd]	135 cm ²
Equivalent volume [Vas]	26 l
Sensitivity (2,83V/1m)	88 dB

Mechanical Data:

Voice coil diameter	42 mm
Voice coil height	19 mm
Voice coil layers	2
Gap height	6 mm
Linear excursion	± 6.5 mm
Max mech. excursion	± 10 mm
Unit weight	2.2 kg
Cabinet Displacement Volume	0.54 l

Electrical Data:

Nominal impedance [Zn]	8 Ω
Minimum impedance [Zmin]	6.6 Ω
Maximum impedance [Zo]	27 Ω
DC resistance [Re]	5.7 Ω
Voice coil inductance [Le]	0.2 mH

Power Handling:

100h RMS noise test (IEC 18.4)	70 W
Long-term max power (IEC 18.2)	130 W
X-over:	None

Key Features:

- Patented Symmetrical Drive Motor Design
- Air Dried Paper/Nylon Fibre Cone
- 42mm Voice Coil
- Low-Loss linear suspension
- Low Damping Black Coated Foam Surround
- Die-cast alu. chassis

Recommendations (please see Tech Note):

- Operating frequency range: fs-3000 Hz
- Cabinet volume - closed box: Vbox=10 ltr, f(-3dB)=82 Hz
- Cabinet volume - vented box: Vbox=19 ltr, fb=47 Hz, f(-3dB)=49 Hz

