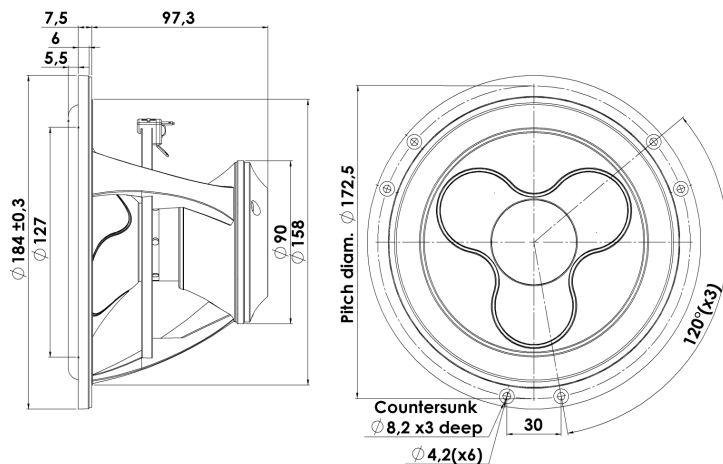




## WOOFER

## 18WU/4747T00

The Illuminator woofers are in every aspect unusual designs with the open construction, the extremely long linear excursion and patented under-hung SD-3 (Symmetrical Drive) neodymium motor system, which due to copper caps and its construction ensures very low distortion, adding the unique patented cones, low-loss linear suspension the result is: "The Very Best Money Can Buy"!



### KEY FEATURES:

- Under-Hung Neodymium Motor Design
- Black Anodized Alu. Cone
- Low-Loss linear suspension
- Patented Symmetrical Drive (SD-3)
- Exceptionally Long Linear Excursion
- Patented Design

#### T-S Parameters

Resonance frequency [fs]	32 Hz
Mechanical Q factor [Qms]	3.42
Electrical Q factor [Qes]	0.30
Total Q factor [Qts]	0.28
Force factor [Bl]	6 Tm
Mechanical resistance [Rms]	1.00 kg/s
Moving mass [Mms]	17 g
Suspension compliance [Cms]	1.46 mm/N
Effective diaph. diameter [D]	140 mm
Effective piston area [Sd]	154 cm <sup>2</sup>
Equivalent volume [Vas]	48.3 l
Sensitivity (2.83V/1m)	88.1 dB
Ratio Bl/√Re	3.35 N/√W
Ratio fs/Qts	116 Hz

#### Notes:

IEC specs. refer to IEC 60268-5 third edition.  
All Scan-Speak products are RoHS compliant.  
Data are subject to change without notice.  
Datasheet updated: February 22, 2011.

#### Electrical Data

Nominal impedance [Zn]	4 Ω
Minimum impedance [Zmin]	4.6 Ω
Maximum impedance [Zo]	39.7 Ω
DC resistance [Re]	3.2 Ω
Voice coil inductance [Le]	0.39 mH

#### Power Handling

100h RMS noise test (IEC 17.1)	80 W
Long-term max power (IEC 17.3)	150 W

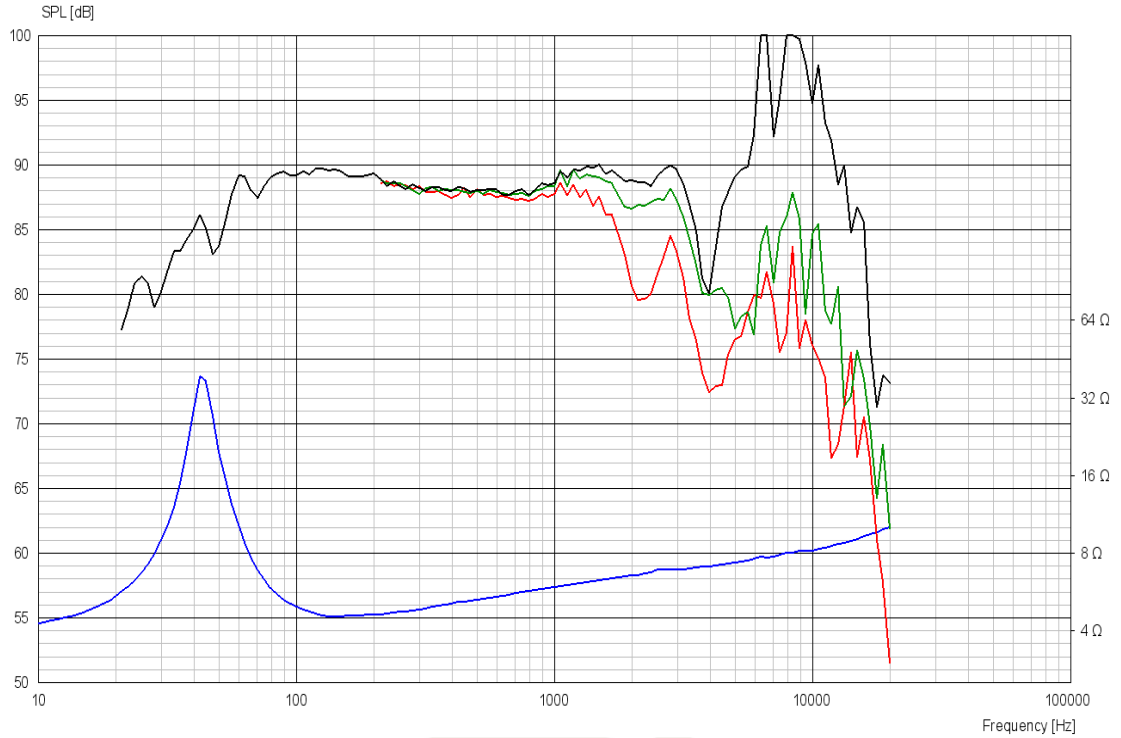
#### Voice Coil and Magnet Data

Voice coil diameter	42 mm
Voice coil height	8 mm
Voice coil layers	4
Height of gap	20 mm
Linear excursion	± 9 mm
Max mech. excursion	± 16 mm
Unit weight	1.7 kg

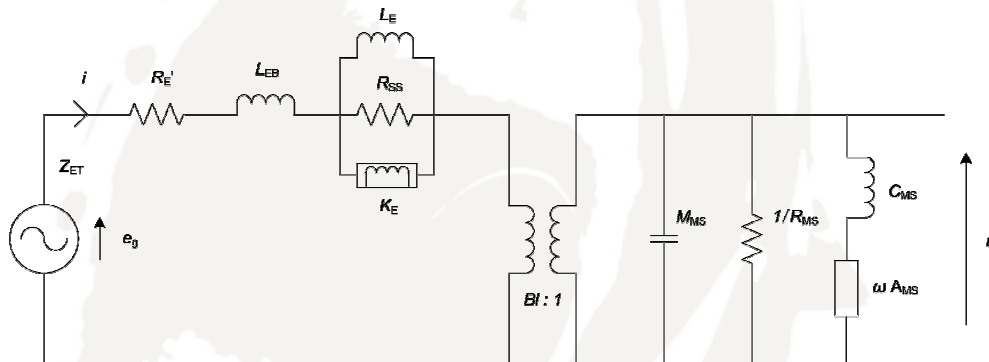


# WOOFER

# 18WU/4747T00



## Advanced Parameters (Preliminary)



### Electrical data:

Resistance [Re']	3.81 Ω
Free inductance [Leb]	0.0513 mH
Bound inductance [Le]	3.25 mH
Semi-inductance [Ke]	0.0582 SH
Shunt resistance [Rss]	4.72 Ω

### Mechanical Data

Force Factor [BI]	5.35 Tm
Moving mass [Mms]	18.0 g
Compliance [Cms]	0.846 mm/N
Mechanical resistance [Rms]	0.210 kg/s
Admittance [Ams]	0.116 mm/N