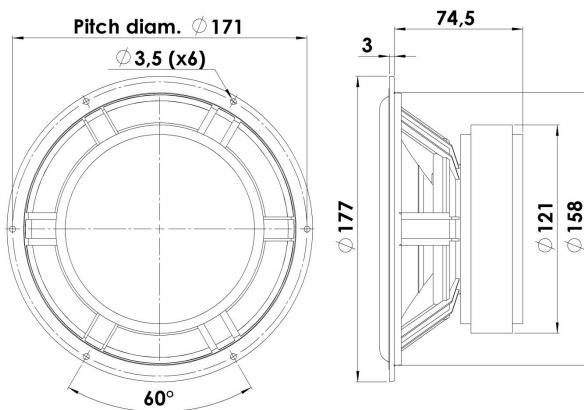




# MIDWOOFER

# 18W/8545-01

This unit is an improved version of the highly praised 18W/8545-00 midwoofer, where a new aluminum chassis, an updated cone and a new spider as well as a few other details are introduced, these updates improves mechanical stability and sound performance. High-quality magnet system design with patented Symmetric Drive (SD-1) continues to be key feature.



## KEY FEATURES:

- Patented Symmetrical Drive Motor Design
- 42mm Voice Coil w. Alu foil
- Low Damping SBR Rubber Surround
- Coated Air Dried Paper/Carbon Fibre Cone
- Low-Loss linear suspension
- Aluminium Chassis

### T-S Parameters

Resonance frequency [fs]	25 Hz
Mechanical Q factor [Qms]	1.55
Electrical Q factor [Qes]	0.22
Total Q factor [Qts]	0.20
Force factor [Bl]	8.4 Tm
Mechanical resistance [Rms]	1.8 kg/s
Moving mass [Mms]	18 g
Compliance [Cms]	2.3 mm/N
Effective diaph. diameter [D]	136 mm
Effective piston area [Sd]	145 cm <sup>2</sup>
Equivalent volume [Vas]	68.6 l
Sensitivity (2.83V/1m)	88 dB
Ratio Bl/√Re	3.53 N/√W
Ratio fs/Qts	125 Hz

### Notes:

IEC specs. refer to IEC 60268-5 third edition.  
 All Scan-Speak products are RoHS compliant.  
 Data are subject to change without notice.  
 Datasheet updated: April 23, 2014.

### Electrical Data

Nominal impedance [Zn]	8 Ω
Minimum impedance [Zmin]	6.2 Ω
Maximum impedance [Zo]	45 Ω
DC resistance [Re]	5.7 Ω
Voice coil inductance [Le]	0.39 mH

### Power Handling

100h RMS noise test (IEC 17.1)	100 W
Long-term max power (IEC 17.3)	120 W

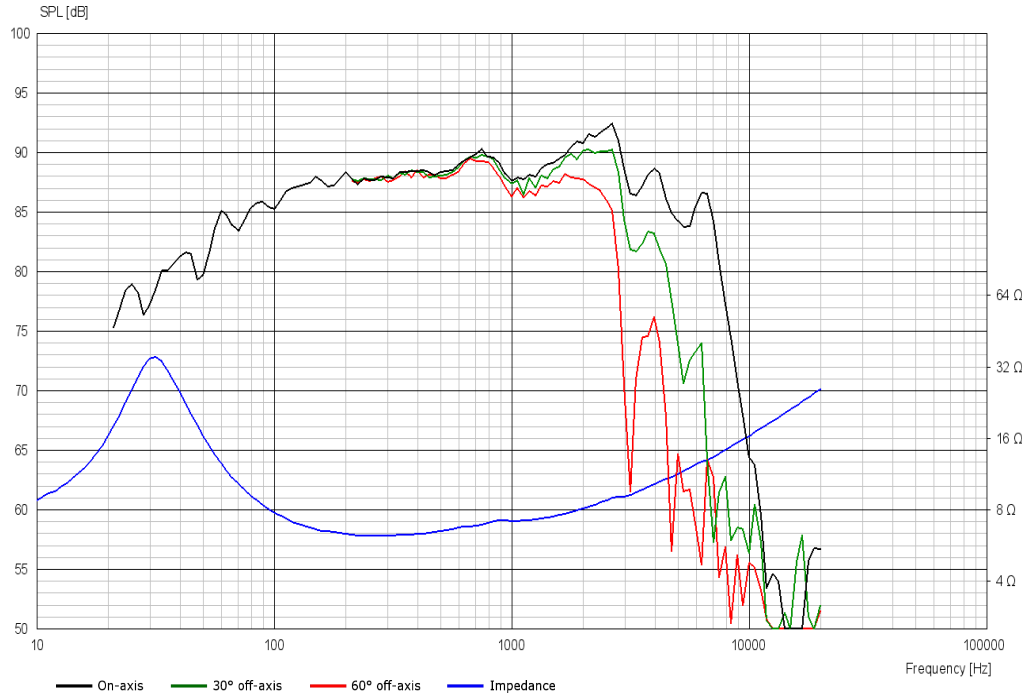
### Voice Coil & Magnet Data

Voice coil diameter	42 mm
Voice coil height	19 mm
Voice coil layers	2
Height of gap	6 mm
Linear excursion	± 6.5 mm
Max mech. excursion	± 10 mm
Unit weight	2.3 kg

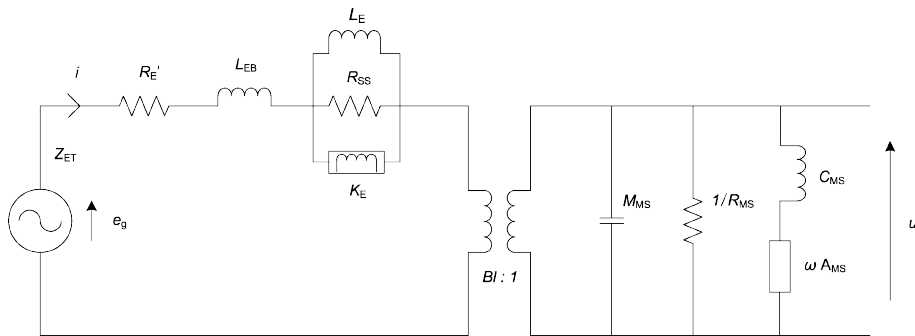


# MIDWOOFER

# 18W/8545-01



## Advanced Parameters (Preliminary)



### Electrical data

Resistance [ $R_{E'}$ ]	5.92 $\Omega$
Free inductance [ $L_{EB}$ ]	0.107 mH
Bound inductance [ $L_E$ ]	0.819 mH
Semi-inductance [ $K_E$ ]	0.0343 SH
Shunt resistance [ $R_{SS}$ ]	14093 $\Omega$

### Mechanical Data

Force Factor [ $Bl$ ]	7.0 Tm
Moving mass [ $M_{MS}$ ]	18 g
Compliance [ $C_{MS}$ ]	2.05 mm/N
Mechanical resistance [ $R_{MS}$ ]	1.26 kg/s
Admittance [ $A_{MS}$ ]	0.241 mm/N