

T250D

Features

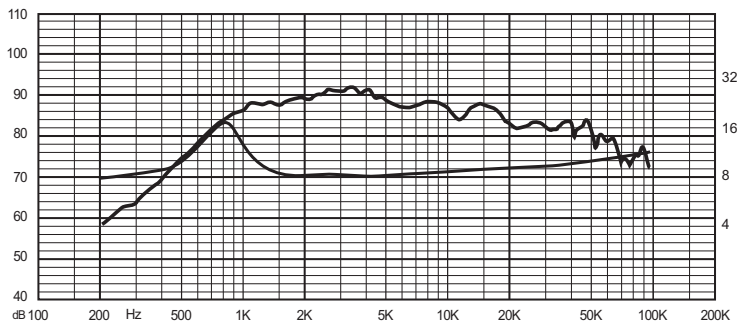
- The world first dome super tweeter employing $\varnothing 25\text{mm}$ pure magnesium diaphragm.
- Low distortion and high power magnetic circuit with combination of the copper-plating yoke/plate and the tripled $\varnothing 90\text{mm}$ large ferrite magnets.
- Up down roll tangential surround is to realize less anti-resonance and superior amplitude characteristic.
- Wide range and high input design.
- High-density resin frame with the shape designed to minimize the distance between the tweeter and a woofer for more accurate sound image.



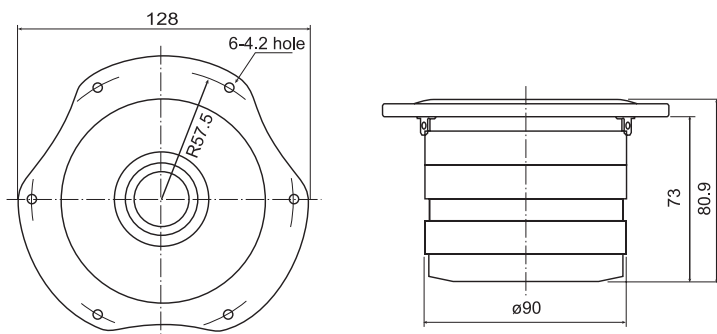
Specifications

| | |
|---------------------------------|-----------------------------|
| Impedance | :8 Ω |
| Reproduction Frequency Response | : 900Hz - 50kHz |
| S.P.L. | :90dB/W (1m) |
| Power Handling | :150W (Music) |
| Recommended Crossover Frequency | :1.5kHz or more (-12dB/oct) |
| Magnet Weight | :329g x 1, / 403g x 2 |
| Net Weight | :2,600g |

Frequency Response



Dimensions



Mounting Information

